

GDW-50N Brass Knob

Features

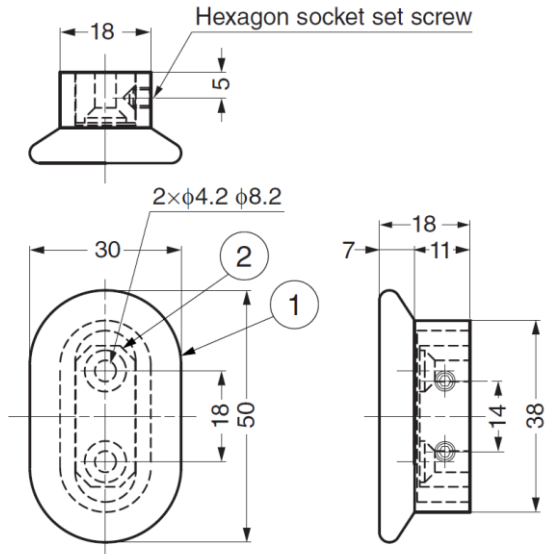
- Includes insert block and set screw for surface mounting

Material

- Brass, satin chrome / plain finish

Parts Included

- Countersunk head screw M4×20 (SUS)



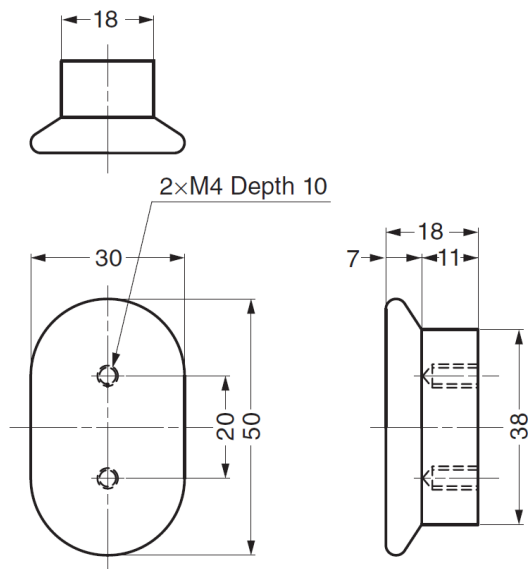
No.	Part Name	Finish
①	Body	Satin Chrome
②	Base	Plain

Part No.
GDW-50N

GDW-50 Brass Knob

Material

- Brass, satin chrome finish



Part No.
GDW-50